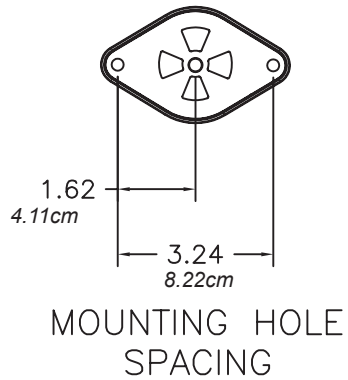


# CGUPM06 PROJECTOR MOUNT SPECIFICATION SHEET

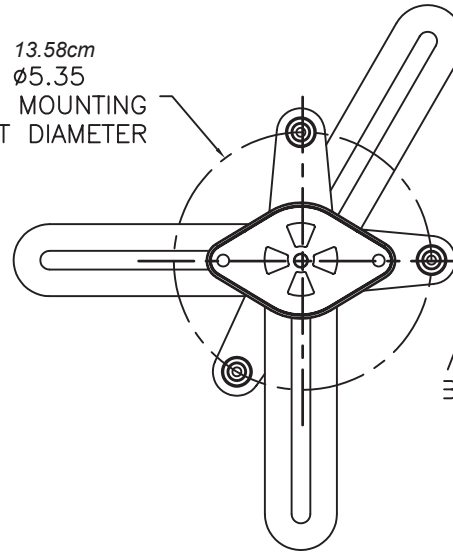
MAX TOTAL WEIGHT

40 LBS / 14.9 KG

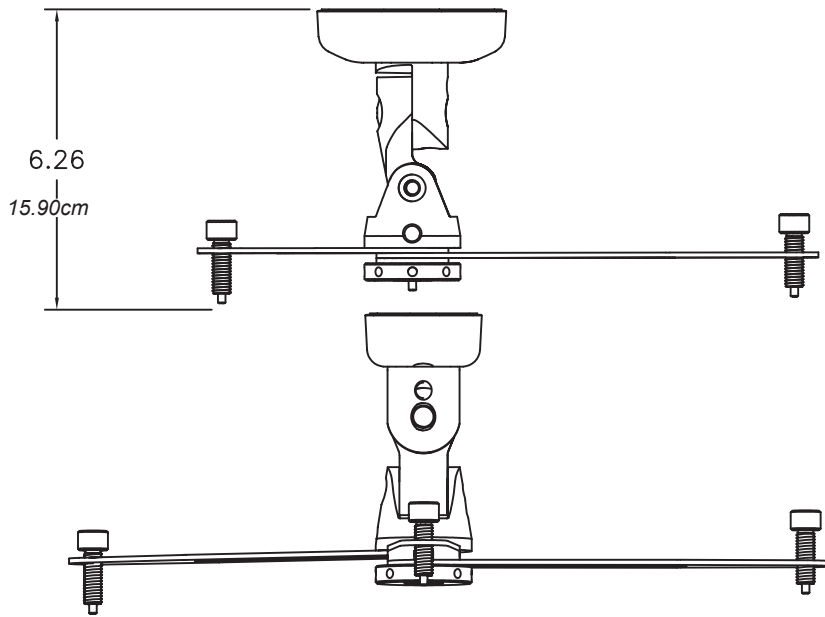
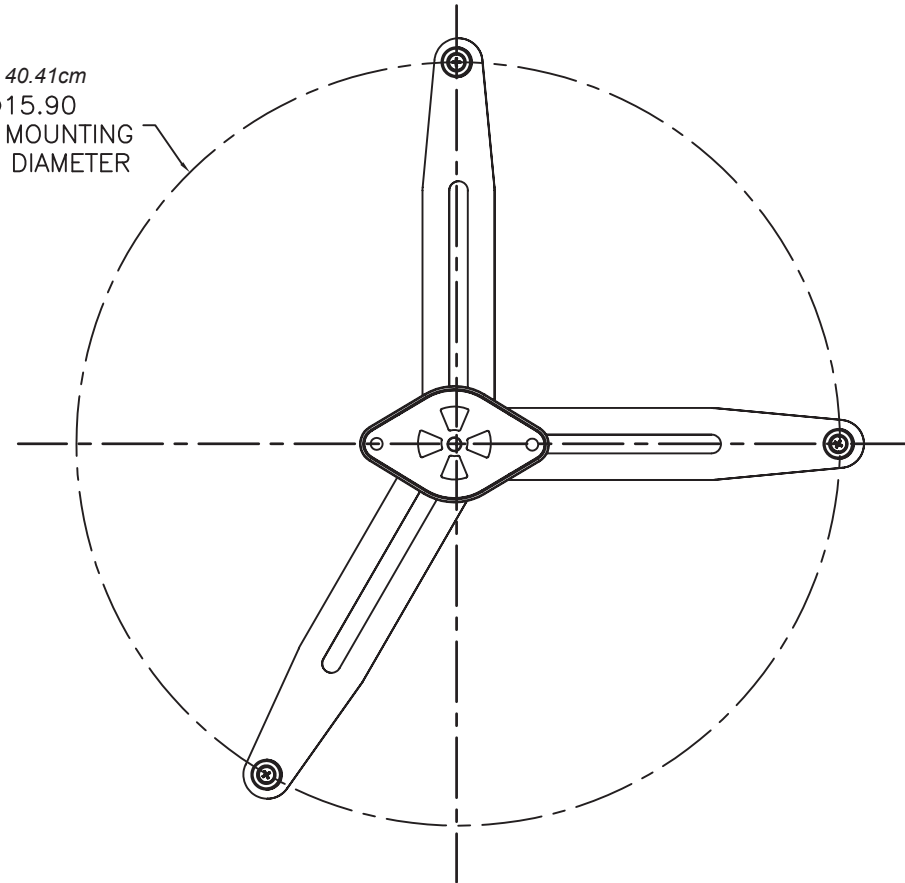
**VANTAGE  
POINT**  
Possibilities are mounting.™



13.58cm  
Ø5.35  
MIN. MOUNTING  
BOLT DIAMETER



40.41cm  
Ø15.90  
MAX. MOUNTING  
BOLT DIAMETER



Vantage Point Products Corp. 10233 Palm Drive Santa Fe Springs, CA 90670  
USA: 800.582.9595 Canada: 905.607.9994 Europe: 31.72.581.6056  
Email: [cons-serv@vanptc.com](mailto:cons-serv@vanptc.com) WebSite: [www.vanptc.com](http://www.vanptc.com)